



CONFINED SPACE VENTILATOR

User's Manual & Operating Instructions



MODEL: VAF8000A/A-3/B-3

For use in Non-Explosive/Non-Flammable environments only.



WARNING! CALIFORNIA PROPOSITION 65: This product can expose you to chemicals, including lead, which are known to the State of California to cause cancer and birth defects or other reproductive harm. For more information go to www.P65Warnings.ca.gov.

PINNACLE CLIMATE TECHNOLOGIES LIMITED WARRANTY

Pinnacle Climate Technologies, Inc. warrants this ventilator to the original retail purchaser only, to be free from defects in material and workmanship for a period of three (3) years from the date of initial purchase. This product must be properly installed, maintained and operated in accordance with the instructions provided.

Pinnacle Climate Technologies, Inc. requires reasonable proof of your date of purchase from an authorized retailer or distributor. Therefore, you should keep your sales slip, invoice or cancelled check from the original purchase. This Limited Warranty shall be limited to the repair or replacement of parts, prove defective under normal use and service within the warranty period, and which Pinnacle Climate Technologies, Inc. shall determine at its reasonable discretion.

This warranty does not apply to products purchased for rental use.

This Limited Warranty does not cover any failures or operating difficulties due to normal wear and tear, accident, abuse, misuse, alteration, misapplication, improper installation or improper maintenance and service by you or any third party. Failure to perform normal and routine maintenance on the ventilator, shipping damage, damage related to insects, birds or animals of any kind, and damage due to weather conditions are also not covered.

In addition, the Limited Warranty does not cover damage to the finish, such as scratches, dents, discoloration, rust or other weather damage, after purchase.

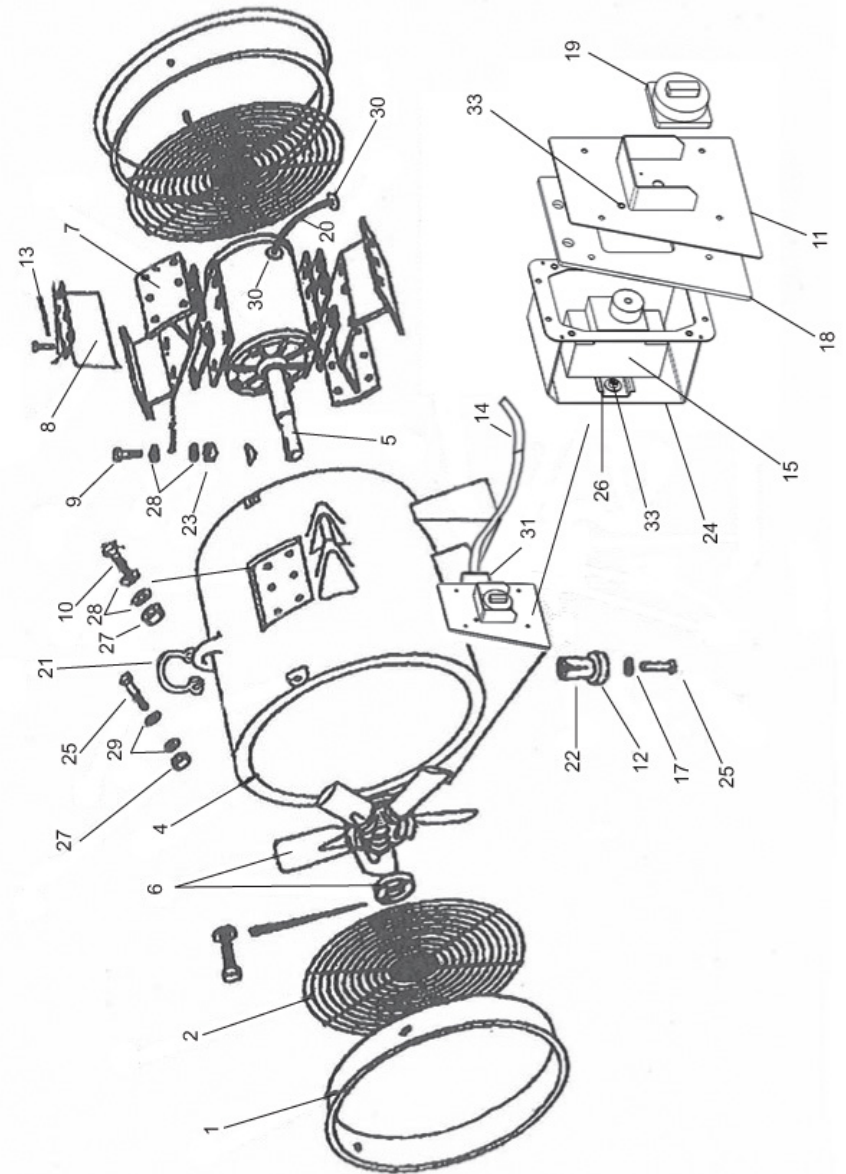
All transportation costs for the return of damaged product or parts will be the responsibility of the purchaser. Upon receipt of damaged item, Pinnacle Climate Technologies, Inc. will examine the item and determine if defective. Pinnacle Climate Technologies, Inc. will repair or replace and return the item, freight pre-paid. If Pinnacle Climate Technologies, Inc. finds the item to be in normal operating condition, or not defective the item will be returned freight collect. This Limited Warranty is in lieu of all other express warranties. Pinnacle Climate Technologies, Inc. disclaims all warranties for

products that are purchased from sellers other than authorized dealers or distributors. AFTER THE PERIOD OF THREE (3) YEARS AND THE WARRANTY EXPIRES, Pinnacle Climate Technologies, Inc. DISCLAIMS ANY AND ALL IMPLIED WARRANTIES, INCLUDING WITHOUT LIMITATION THE IMPLIED WARRANTIES OF MERCHANTABILITY AND FITNESS FOR A PARTICULAR APPLICATION. FURTHER, Pinnacle Climate Technologies, Inc. SHALL HAVE NO LIABILITY WHATSOEVER TO PURCHASER OR ANY THIRD PARTY FOR ANY SPECIAL, INDIRECT, PUNITIVE INCIDENTAL, OR CONSEQUENTIAL DAMAGES. Pinnacle Climate Technologies, Inc. assumes no responsibility for any defects caused by third parties. This Limited Warranty gives the purchaser specific legal rights; a purchaser may have other rights depending upon where he or she lives. Some states do not allow the exclusion or limitation of special, incidental or consequential damages, or limitations on how long a warranty lasts, so the above exclusion and limitations may not apply to you.

Pinnacle Climate Technologies, Inc. does not authorize any person or company to assume for it any other obligation or liability in connection with the sale, installation, use, removal, return or replacement of its equipment, and no such representations are binding on Pinnacle Climate Technologies, Inc.

Always be sure to specify the model number and serial number when making any claim with Pinnacle Climate Technologies, Inc. For your convenience, use the space provided on the next page to list this information.

VAF8000 PICTORIAL BREAKDOWN



**Parts List: VAF8000B-3
(440V, 3 Phase)**

ITEM	Part Number	DESCRIPTION	QTY
1	RING-VAF8000	Duct Ring 20" ABS	2
2	GUARD-VAF8000	Wire Guard 20"	2
4	HSG-VAF8000	Housing Blue VAF8000	1
5	CS253	Motor 5HP 220/440V 60/50Hz 3Ph	1
6	BLD-VAF8000-3	Three Phase Fan Blade Assembly	1
	OSW14SS	Washer 1/4" Split Lock SS	2
	0B1420X1HYZ	Bolt 1/4"-20 x 1" Hex GR8	2
7	MTRVN-VAF8000	Motor Mount Primary Vane	2
8	SECVN-VAF8000	Secondary Vane	4
9	0B51624X1HZ	Bolt 5/16"-24 x 1" Hex Zinc	12
10	0B1420X114HZ	Bolt 1/4"-20 x 1-1/4" Hex Zinc	24
11	SWPNL-VAF8000	Switch Mount Panel	1
12	0RF212OD	Rubber Foot 2-1/2" OD x 1" Thk SBR	4
13	0RIVET6-8A-B	Rivet 3/16" x 1/2"G Aluminum Black Anodize	20
14	CORD-VAF8000B3	Power Cord 12/4 SOOW 20' with L16-20P plug	1
15	0MS-KTA725S10A	Motor Starter 5HP 440V 10A 3Ph	1
17	0W14X1Z	Washer 1/4" x 1" Zinc	4
18	0GSKT-8000KTA7	Gasket Power Panel	1
19	0S-KT7SHB	Operator Switch	1
	0SMS4X12PPHTC	Screw #4-24 x 1/2" Phillips Pan Head	2
20	0FLEXPVC12	1/2" Flexible PVC Conduit (Linear Ft)	3
21	SHACKLE58-6500G	Shackle 5/8" Screw Pin 6500# WLL	1
22	0WNJ1420R	Well Nut J1420 Rubber	4
23	0NY51624Z	Nylock 5/16"-24 Zinc	12
24	MSBOX-VAF8000	Motor Starter Box	1
25	0B1420X112HZ	Bolt 1/4"-20 x 1-1/2" Hex Zinc	12
26	DINRAIL-3	DIN Rail 35mm X 7.5 mm Slotted Zinc	1
27	0NY1420Z	Nylock 1/4"-20 Zinc	32
28	0W14STDZ	Washer 1/4" USS	48
29	0W14SAE	Washer 1/4" SAE	40
30	0CFLT12	Conduit Fitting Liquid Tight 1/2" Snap In	2
31	CONNECTOR34	Cordgrip Liquid Tight 3/4" NPT	1
	0LNROMEX34	Lock Nut for 3/4" Cordgrip	1
32	0NY1032Z	Nylock 10-32 Zinc	1
	0WIL10STDZ	Washer Internal Lock #10 Zinc	2
	0RGTERM1614-10	Ring Terminal #10 16-14 AWG	1
33	0B1032X58PHRHZ	Bolt 10-32 x 5/8" Phillips Round Head Zinc	4
	0WEL1032Z	Washer External Lock #10 Zinc	4
	0B1032X12SCS	Bolt 10-32 x 1/2" Socket Cap Screw Zinc	2
	0W10X58SS	Washer Fender #10	2
	0NY1032Z	Nylock 10-32 Zinc	2
	0LN2TERM	Lever Nut 2 Terminal	3
	0LN3TERM	Lever Nut 3 Terminal	1
	0SPTERM2218-8	Spade Terminal 22-18 #8 Stud Red	3
	0CT4P	Cable Tie 4"	2
	LABELVAF8-440-3	Label VAF8000 440V 3Ph	1
	LABELVAFWARN-E	Label VAF Warning English	1
	LABELVAFWARN-S	Label VAF Warning Spanish	1
	0LABEL-GROUND	Earth Ground Decal	1
	I-VAF8000	User Manual	1

INTRODUCTION

Congratulations...on your selection of a new Vane Axial Fan from Pinnacle Climate Technologies. Our goal is to provide you with the very best in high performance air ventilators. Reading this Owner's Manual will help you achieve the maximum benefit from your portable air ventilator. If you do not understand any portion of this Manual please contact Pinnacle or your authorized Pinnacle dealer for proper assistance prior to operating this Fan.

Do not allow anyone to operate the Vane Axial Fan without first reading the Operator's Manual and becoming familiar with its operation. Pinnacle has endeavored to provide you with the finest equipment available for providing air for portable ventilation purposes. The possibility does exist, however, that the Vane Axial Fan can be subjected to applications not intended by Pinnacle.

Misuse and/or misapplication of the Vane Axial Fan can lead to the possibility of serious damage, injury or even death. Anyone operating the Vane Axial Fan should refer to current OSHA job safety and health rules and regulations pertaining to the construction industry, with a particular emphasis on 29 CFR 1910, which contains rules governing Permitted-Required Confined Spaces for General Industry.

Record the Vane Axial Fan model and serial number in the space provided below.

Model No. _____

Serial No. _____

Date Purchased _____

All specifications are general in nature and are not intended for specific application purposes. Pinnacle accepts no responsibility for variations which may be evident in actual products, specifications, pictures and descriptions contained in this publication.

SAFETY PRECAUTIONS



DANGER

THE FAN IS DESIGNED FOR PORTABLE AIR VENTILATION PURPOSES ONLY. THE FAN IS NOT DESIGNED FOR TRANSPORTING LIQUID OR SEMI-SOLID MATERIALS. **THE ELECTRIC MOTOR AND FAN HOUSING ARE NOT DESIGNED FOR OPERATION IN AN EXPLOSIVE OR FLAMMABLE ATMOSPHERE. OPERATION OF THE FAN IN AN EXPLOSIVE OR FLAMMABLE ATMOSPHERE MAY RESULT IN PROPERTY DAMAGE, PERSONAL INJURY OR EVEN DEATH.** INCORRECT USE OF THE FAN CAN RESULT IN AN ELECTRICAL SHOCK AND/OR ELECTROCUTION. ALWAYS OPERATE THE FAN IN COMPLIANCE WITH CURRENT OSHA AND NATIONAL ELECTRIC CODE REGULATIONS.



DANGER

INCORRECT USE OF THE FAN CAN RESULT IN PROPERTY DAMAGE, PERSONAL INJURY OR EVEN DEATH. TO REDUCE THIS RISK, GIVE COMPLETE AND UNDIVIDED ATTENTION TO THE JOB AT HAND. AN ENVIRONMENT ATMOSPHERE CONSTANTLY CHANGES; THEREFORE, IT'S RECOMMENDED THAT AIR MONITORING/ GAS DETECTION EQUIPMENT BE USED FREQUENTLY. IF TESTS SHOW THAT THE ATMOSPHERE QUALIFIES AS A **HAZARDOUS LOCATION** (AN AREA WHERE THE POSSIBILITY OF EXPLOSION AND FIRE IS CREATED BY THE PRESENCE OF COMBUSTIBLE LIQUIDS, FLAMMABLE GASES, VAPORS, DUST, FIBERS, FLAMES OR FILINGS.) **DO NOT USE THIS FAN.** READ AND UNDERSTAND THE FOLLOWING PREPARATION ITEMS AND GENERAL SAFETY INFORMATION.

PREPARATION

- 1) Become familiar with the Fan operations before utilizing this Fan. Read and understand all Cautions and Warnings in this Manual. Refer to current OSHA publications for complete job safety and health rules and regulations (CFR 1926 and 1910).
- 2) Confirm that the Fan is in its original, factory configuration and has not been modified in any manner.
- 3) Minors should not be allowed to operate the Fan. Close attention is necessary when used, especially when used near children or animals.
- 4) Guard against the possibility of back-related injuries. Always lift the Fan with leg muscles and not with the back.
- 5) Periodically inspect the Fan visually for damaged or worn parts. Check for loose and/or broken parts. Be sure that the Fan and accessories are in good working condition before operating.
- 6) Know how to stop the Fan quickly in an emergency. Turn unit off at (on/off) switch located on side of unit or unplug Fan from power supply.
- 7) Based upon customer country standards, customer to supply suitable plug to conform to their specific country's requirement.

GENERAL SAFETY INFORMATION

- 1) Never place the Fan in standing water because of extreme shock hazard.
- 2) Never allow air intake grill to become blocked.
- 3) Never discharge flammable solvents or kerosene based chemicals through the Fan air intake grill.
- 4) **Do not use the Fan in areas where flammable or combustible liquids, gases, vapors, dust, fibers or filings may be present.**
- 5) Never put any object in the air intake grill.
- 6) Never run the Fan outside when it is raining. Never store the Fan outdoors.
- 7) Do not use the Fan as a toy.
- 8) Use the Fan only with a properly grounded outlet.
- 9) Unplug the Fan from outlet when not in use and before servicing.

WARNING: To reduce the risk of fire or electric shock, do not use this fan with any solid state speed control device.

Parts List: VAF8000A-3 (220V, 3 Phase)

ITEM	Part Number	DESCRIPTION	QTY
1	RING-VAF8000	Duct Ring 20" ABS	2
2	GUARD-VAF8000	Wire Guard 20"	2
4	HSG-VAF8000	Housing Blue VAF8000	1
5	CS253	Motor 5HP 220/440V 60/50Hz 3Ph	1
6	BLD-VAF8000-3	Three Phase Fan Blade Assembly	1
	OSW14SS	Washer 1/4" Split Lock SS	2
	0B1420X1HYZ	Bolt 1/4"-20 x 1" Hex GR8	2
7	MTRVN-VAF8000	Motor Mount Primary Vane	2
8	SECVN-VAF8000	Secondary Vane	4
9	0B51624X1HZ	Bolt 5/16"-24 x 1" Hex Zinc	12
10	0B1420X114HZ	Bolt 1/4"-20 x 1-1/4" Hex Zinc	24
11	SWPNL-VAF8000	Switch Mount Panel	1
12	ORF212OD	Rubber Foot 2-1/2" OD x 1" Thk SBR	4
13	ORIVET6-8A-B	Rivet 3/16" x 1/2"G Aluminum Black Anodize	20
14	CORD-VAF8000A3	Power Cord 12/4 SOOW 20' with L15-30P plug	1
15	OMS-KTA725S16A	Motor Starter 5HP 220V 16A 3Ph	1
17	OW14X1Z	Washer 1/4" x 1" Zinc	4
18	OGSKT-8000KTA7	Gasket Power Panel	1
19	OS-KT7SHB	Operator Switch	1
	OSMS4X12PPHTC	Screw #4-24 x 1/2" Phillips Pan Head	2
20	OFLEXPVC12	1/2" Flexible PVC Conduit (Linear Ft)	3
21	SHACKLE58-6500G	Shackle 5/8" Screw Pin 6500# WLL	1
22	OWNJ1420R	Well Nut J1420 Rubber	4
23	ONY51624Z	Nylock 5/16"-24 Zinc	12
24	MSBOX-VAF8000	Motor Starter Box	1
25	0B1420X112HZ	Bolt 1/4"-20 x 1-1/2" Hex Zinc	12
26	DINRAIL-3	DIN Rail 35mm X 7.5 mm Slotted Zinc	1
27	ONY1420Z	Nylock 1/4"-20 Zinc	32
28	OW14STDZ	Washer 1/4" USS	48
29	OW14SAE	Washer 1/4" SAE	40
30	OCFLT12	Conduit Fitting Liquid Tight 1/2" Snap In	2
31	CONNECTOR34	Cordgrip Liquid Tight 3/4" NPT	1
	OLNROMEX34	Lock Nut for 3/4" Cordgrip	1
32	ONY1032Z	Nylock 10-32 Zinc	1
	OWIL10STDZ	Washer Internal Lock #10 Zinc	2
	ORGTERM1614-10	Ring Terminal #10 16-14 AWG	1
33	0B1032X58PHRHZ	Bolt 10-32 x 5/8" Phillips Round Head Zinc	4
	OWEL1032Z	Washer External Lock #10 Zinc	4
	0B1032X12SCS	Bolt 10-32 x 1/2" Socket Cap Screw Zinc	2
	OW10X58SS	Washer Fender #10	2
	ONY1032Z	Nylock 10-32 Zinc	2
	OLN3TERM	Lever Nut 3 Terminal	2
	WC-SPADE6	Spade 16-14 #6 Stud	3
	OCT4P	Cable Tie 4"	2
	LABELVAF8-220-3	Label VAF8000 220V 3Ph	1
	LABELVAFWARN-E	Label VAF Warning English	1
	LABELVAFWARN-S	Label VAF Warning Spanish	1
	0LABEL-GROUND	Earth Ground Decal	1
	I-VAF8000	User Manual	1

**Parts List: VAF8000A
(220V, 1 Phase)**

ITEM	Part Number	DESCRIPTION	QTY
1	RING-VAF8000	Duct Ring 20" ABS	2
2	GUARD-VAF8000	Wire Guard 20"	2
4	HSG-VAF8000	Housing Blue VAF8000	1
5	CS251	Motor 5HP 220V 60/50Hz 1Ph	1
6	BLD-VAF8000-1	Single Phase Fan Blade Assembly	1
	0SW14SS	Washer 1/4" Split Lock SS	2
	0B1420X1HYZ	Bolt 1/4"-20 x 1" Hex GR8	2
7	MTRVN-VAF8000	Motor Mount Primary Vane	2
8	SECVN-VAF8000	Secondary Vane	4
9	0B51624X1HZ	Bolt 5/16"-24 x 1" Hex Zinc	12
10	0B1420X114HZ	Bolt 1/4"-20 x 1-1/4" Hex Zinc	24
11	SWPNL-VAF8000	Switch Mount Panel	1
12	0RF212OD	Rubber Foot 2-1/2" OD x 1" Thk SBR	4
13	0RIVET6-8A-B	Rivet 3/16" x 1/2"G Aluminum Black Anodize	20
14	CORD-VAF8000A	Power Cord 12/3 SOOW 20' with L6-30P plug	1
15	0MS-KTA725S25A	Motor Starter 5HP 220V 25A 1Ph	1
17	0W14X1Z	Washer 1/4" x 1" Zinc	4
18	0GSKT-8000KTA7	Gasket Power Panel	1
19	0S-KT7SHB	Operator Switch	1
	0SMS4X12PPHTC	Screw #4-24 x 1/2" Phillips Pan Head	2
20	0FLEXPVC12	1/2" Flexible PVC Conduit (Linear Ft)	3
21	SHACKLE58-6500G	Shackle 5/8" Screw Pin 6500# WLL	1
22	0WNJ1420R	Well Nut J1420 Rubber	4
23	0NY51624Z	Nylock 5/16"-24 Zinc	12
24	MSBOX-VAF8000	Motor Starter Box	1
25	0B1420X112HZ	Bolt 1/4"-20 x 1-1/2" Hex Zinc	12
26	DINRAIL-3	DIN Rail 35mm X 7.5 mm Slotted Zinc	1
27	0NY1420Z	Nylock 1/4"-20 Zinc	32
28	0W14STDZ	Washer 1/4" USS	48
29	0W14SAE	Washer 1/4" SAE	40
30	0CFLT12	Conduit Fitting Liquid Tight 1/2" Snap In	1
	0CFLT12-12	Conduit Fitting Liquid Tight 1/2" NPT	1
31	CONNECTOR34	Cordgrip Liquid Tight 3/4" NPT	1
	0LNROMEX34	Lock Nut for 3/4" Cordgrip	1
32	0NY1032Z	Nylock 10-32 Zinc	1
	0WIL10STDZ	Washer Internal Lock #10 Zinc	2
	0RGTERM1614-10	Ring Terminal #10 16-14 AWG	1
33	0B1032X58PHRHZ	Bolt 10-32 x 5/8" Phillips Round Head Zinc	4
	0WEL1032Z	Washer External Lock #10 Zinc	4
	0B1032X12SCS	Bolt 10-32 x 1/2" Socket Cap Screw Zinc	2
	0W10X58SS	Washer Fender #10	2
	0NY1032Z	Nylock 10-32 Zinc	2
	0LN3TERM	Lever Nut 3 Terminal	1
	WC-SPADE6	Spade 16-14 #6 Stud	2
	0CT4P	Cable Tie 4"	2
	LABELVAF8-220-1	Label VAF8000 220V 1Ph	1
	LABELVAFWARN-E	Label VAF Warning English	1
	LABELVAFWARN-S	Label VAF Warning Spanish	1
	0LABEL-GROUND	Earth Ground Decal	1
	I-VAF8000	User Manual	1

GENERAL SAFETY INFO. (Continued)

10) Do not use the Fan with a damaged cord or plug. Do not pull or carry the Fan by its cord, do not use cord as a handle, do not close a door on the cord and do not pull cord around sharp edges or corners. Keep cord away from heated surfaces. Do not unplug the Fan by pulling on cord, grasp the plug and not the cord. Do not handle the plug or cord with wet hands.

11) Keep hair, loose clothing, fingers and all parts of the body away from the air intake grill.

12) Do not allow water inside the motor. If the motor becomes wet for any reason, unplug the Fan and thoroughly dry it before using again.

13) Never remove the ground from the power cord or plug, as this may result in electrical shock or electrocution. Removing the ground would void the warranty.

14) If the Fan has been dropped, left outdoors, dropped into water, etc..., please thoroughly inspect it prior to use. If the Fan is not working or if you have a question about its safe operation, do not operate it. Contact Schaefer Ventilation directly at (320)251-8696 or at www.schaeferfan.com.

READ AND SAVE THESE INSTRUCTIONS!

OPERATION

1) Your new Fan comes to you completely assembled and ready to operate. Upon removing the Fan from its carton, inspect it for any possible damage in transit.

2) Before operating the Fan, please read all the safety Precautions and General Safety Information about the proper and safe use of the Fan.

3) Assess your job site. Certain job site locations are classified as being hazardous because the atmosphere may contain gas vapor or dust in explosive quantities.



DANGER

THE ELECTRIC MOTOR AND FAN HOUSING ARE NOT DESIGNED FOR OPERATION IN AN EXPLOSIVE AND/OR FLAMMABLE ATMOSPHERE OF ANY CLASS OR GROUP. OPERATION OF THE FAN IN AN EXPLOSIVE OR FLAMMABLE ATMOSPHERE MAY RESULT IN PERSONAL INJURY OR DEATH.

4) Locate a properly grounded outlet.

5) Prior to plugging the Fan into a grounded outlet, inspect the inlet and outlet grills and remove debris which may restrict airflow movement. Never operate the Fan without the inlet and outlet grills properly secured and in place. Never replace the grills with other than factory supplied replacement units.

6) Note the directional airflow indicator on the external shell. This is the way the air moves.



7) Place the Fan on secure footing to prevent it from shifting while in use.

8) Do not stand directly in front of and/or face the Fan outlet. Personal injury can result from being struck by debris thrown at a relatively high velocity from the Fan blade.



9) When ducting is required, do not install duct while Fan is in operation. Place duct lip over the Fan duct adapter, secure firmly, and note direction of the airflow.

10) When duct is used, be aware that the airflow rate decreases as the length of duct increases. Airflow rates will vary with specific duct types and manufactures.

11) Position Fan air inlet away from walls and other obstructions to allow for maximum air intake.

12) For safe operation, use the Fan only in combination with thorough gas detection tests and continual retesting.



DANGER

ALWAYS ASSUME A CONFINED SPACE WORK AREA IS CONTAMINATED UNTIL IT HAS BEEN PROVEN SAFE FOR WORK PERSONNEL. NEVER ENTER A CONFINED SPACE WORK AREA UNTIL IT HAS BEEN THOROUGHLY TESTED WITH APPROPRIATE GAS DETECTION EQUIPMENT AND PROVEN SAFE FOR WORK PERSONNEL.

MAINTENANCE



DANGER

ALWAYS SHUT OFF THE FAN AND UNPLUG IT FROM ITS POWER SOURCE TO PREVENT ACCIDENTAL STARTING AND THE POSSIBILITY OF ELECTRICAL SHOCK AND/OR ELECTROCUTION. BE SURE THE FAN BLADE HAS STOPPED ROTATING BEFORE PLACING ANY OBJECTS OR FINGERS NEAR THE FAN GRILL.

1. Visually check all fasteners and individual components for loose or broken parts. Tighten or replace items as required, with genuine, factory approved replacement parts only.
2. Keep the Fan blade clean from debris. Accumulation of dust, dirt, paint, etc. on the Fan blade will throw the blade rotation out of balance, resulting in damage. To clean the Fan blade, be sure the plug is disconnected and the blade has stopped rotating. Remove one grill and wipe blade and interior shell housing clean of debris with a damp cloth and mild liquid soap. Dry all parts thoroughly. **DO NOT PRESSURE WASH THE FAN.** Replace grill prior to next operation.



DANGER

DO NOT OPERATE THE FAN WITHOUT THE INLET AND OUTLET GRILL PROPERLY IN PLACE.

3. Contact Pinnacle directly for Fan maintenance or repair not described in this manual (or if you are unsure whether maintenance is required.) at Tel# (320) 251-8696 or at www.pinnacleclimate.com.

SERVICE

- 1) Refer to the TROUBLESHOOTING GUIDE in this Manual.

MOTOR SPECIFICATIONS

	(A)	(A-3)	(B-3)
Voltage	220V AC-	220V AC-	440V AC-
Frequency	60/50 Hz	60/50 Hz	60/50 Hz
Phase	Single	Three	Three
Electric Motor	5 HP	5 HP	5 HP (.75kw)
Current (amps)	21.2	13.0	6.5
R.P.M	3250	3450	3450
Free Air (cfm)	7400	9968	9968 (282.3 M ³)
Max S.P.	6.1"	6.1"	6.1" (68mm)aq

*Tested in accordance with ANSI/AMCA 230-99 as circulation fans.

AIR FLOW RATES @ 60 HZ

Feet	Description	(A-3)		(B-3)		(A)	
		CFM	M ³ /Min	CFM	M ³ /Min	CFM	M ³ /Min
	Free Air	9968	282.3	9968	282.3	7400	209.5
25'	duct Straight	9379	265.6	9379	265.6	6100	172.7
25'	duct 1-90° bend	7193	203.7	7193	203.7	5300	150.1
25'	duct 2-90° bends	6726	190.5	6726	190.5	4800	135.9
50'	duct Straight	8664	245.3	8664	245.3		
75'	duct Straight	8313	235.4	8313	235.4		

Ducting air flow rates @ 60V

The published flow rates are intended to serve only as a reference. Manufacturing tolerances, duct type and specific operating parameters will affect the overall flow rate(s) for each particular Fan.



CAUTION

THE AIR FLOW RATE DECREASES AS THE LENGTH OF DUCT INCREASES FOR BOTH BLOWING AND SUCTION APPLICATIONS. AIR FLOW RATES WILL VARY WITH SPECIFIC DUCT TYPES AND MANUFACTURES.

AMERIC AXIAL FAN TROUBLESHOOTING

CAUTION: All service procedures should be executed with the unit unplugged.

PROBLEM	CAUSE	SOLUTION
Unit will not run.	<ol style="list-style-type: none"> 1) No power to unit. 2) Switch not on. 3) Switch is faulty. 4) Faulty / Broken cord or motor wire. 	<ol style="list-style-type: none"> 1) Plug unit in. Check circuit breaker. 2) Place in "ON" position. 3) Replace switch. 4) Perform continuity check, using volt/amp meter, Repair/replace faulty/broken wire.
Unit runs but fan makes loud scraping noise.	<ol style="list-style-type: none"> 1) Unit has been severely jolted causing fan to rub against housing. 2) Unit has been severely jolted causing housing to deform. 	<ol style="list-style-type: none"> 1) Remove motor and replace damaged motor mounts. 2) Replace housing/unit as necessary.
Unit runs but vibrates excessively.	<ol style="list-style-type: none"> 1) Severe jolt has bent motor shaft causing unit to be out of balance. 2) Fan blade damaged. 3) Dirt build up on one side of fan blade. 	<ol style="list-style-type: none"> 1) Remove and replace motor. Replace fan blade if necessary. 2) Replace fan blade. 3) Clean fan blade.
Unit runs but fan does not turn.	<ol style="list-style-type: none"> 1) Fan is jammed against housing. 2) Capacitor wire has broken/come loose, capacitor has failed. 3) Housing has been damaged such that it presses on the fan blade. 	<ol style="list-style-type: none"> 1) Remove motor and replace damaged motor mounts. Replace fan blade if necessary. 2) Repair/replace wires/capacitor as necessary. 3) Replace housing/unit as necessary.
Unit runs briefly, then shuts off on overload.	<ol style="list-style-type: none"> 1) Motor bearings are failing, or motor has developed an internal electric fault. 2) Intake grill and/or exhaust grill is obstructed. 3) Excessive duct length. 	<ol style="list-style-type: none"> 1) Replace motor. 2) Remove obstruction. 3) Reduce duct length to recommended maximum.